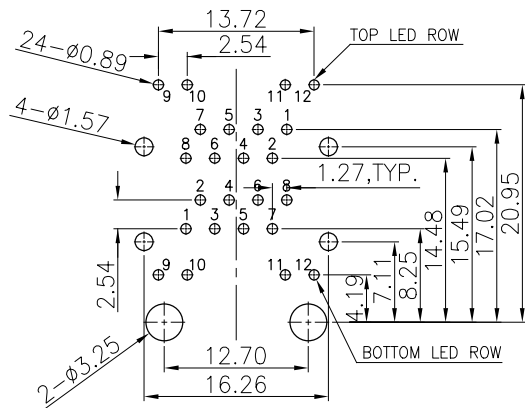
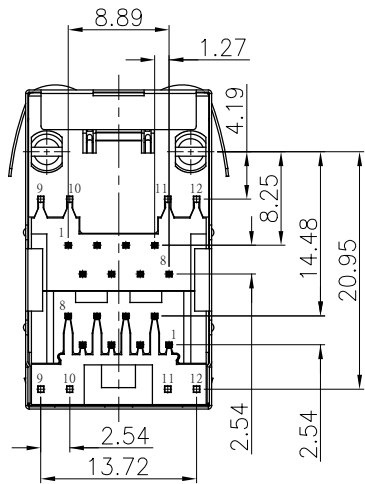


DETAIL A 2:1



SUGGESTED PCB LAYOUT
TOP VIEW

SPECIFICATION:

Electrical:

Current Rating:1.5Amp max @25°C
Voltage Rating:150VAC max
Insulation Resistance:500 megohms min
Contact Resistance:30 milliohms max
Withstanding Voltage:1000 VAC

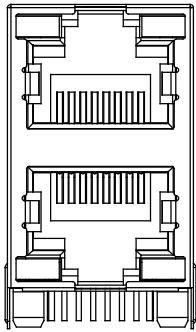
Mechanical:

Durability:750 Cycles
Operating Temperature:-40°C~+85°C
Storage Temperature:-40°C~+85°C
Contact Normal Force:100g Minimum

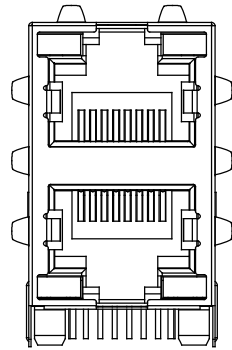
Material:

Housing:High Temperature Thermoplastic UL94V-0,PA6T
Shield: 0.2mm Thickness Brass C2680-H Plated Ni 30u"
Contact:T=0.35mm Phosphor Bronze C5210-EH,
Gold Plating Over Ni 50u" In Contact,
Tin 100u" Plating Over Ni 50u" In Solder Area.
Soldering Temperature: 260+/-5°C ,5sec/95%Area be covered

QUALITY SYMBOLS	DRAWN BY	DATE	ACES ELECTRONICS			
MAJOR	DENG JIANXIANG	'191112				
CRITICAL	CHECKED BY	DATE	TITLE			
GENERAL TOLERANCES (UNLESS SPECIFIED)	TENG CHANG HO	'191112			RJ45 2X1 W/ LED	
X. ±0.5	APPROVED BY	DATE	UNITS	SIZE		
.X ±0.30	APPROVED BY	DATE	mm		A4	
.XX ±0.20	APPROVED BY	DATE	SCALE	SHEET NO.	REV	DWG NO.
.XXX ±0.10	APPROVED BY	DATE	1:1	1 OF 2	2	31569-RXX00XXX-001
ANGLES ±1°	APPROVED BY	DATE				



W/O EMI TAB
P/N 31569-RXX00X00T-001



W/ TOP & SIDE EMI TAB
P/N 31569-RXX00X02T-001

P/N RULE CODE:

31569-R XX 00 X XX T -001

R: ROHS

LED CODE:

KA: L=GREEN, R=YELLOW

POLARITY ACCORD

EA: L=GREEN, R=G+O

POLARITY ACCORD

2A: L=GREEN, R=ORANGE

POLARITY ACCORD

4A: L=G+O, R=ORANGE

POLARITY ACCORD

CIRCUIT TYPE:

00: W/O TRANSFORMER

001:NORMAL

PACKING:

T: TRAY PACKAGE

MECHANICAL SERIES (EMI TAB)

00- W/O EMI TAB

02- W/ TOP & SIDE EMI TAB

PLATING CODE:

1- GOLD FLASH(1~3u")

2- Au 6u"

3- Au 10u"

4- Au 15u"

5- Au 30u"

4A		
2A		
EA		
KA		
LED CODE	LEFT LED	RIGHT LED

QUALITY SYMBOLS	DRAWN BY	DATE				
MAJOR	DENG JIANXIANG	'191112				
CRITICAL	CHECKED BY	DATE	TITLE			
GENERAL TOLERANCES (UNLESS SPECIFIED)	TENG CHANG HO	'191112			RJ45 2X1 W/ LED	
X. ±0.5	APPROVED BY	DATE	UNITS	SIZE		
.X ±0.30	KUO JUNG HSUN	'191112	mm	A4		
.XX ±0.20			SCALE	SHEET NO.	REV	DWG NO.
.XXX ±0.10			1:1	2 OF 2	2	31569-RXX00XXXT-001
ANGLES ±1°						