

# HSF

## Specification


- 1.Current Rating:1.5AMP at 250V AC  
Voitage rotng:30v
- 2.Contact Resistance:30mΩ max
- 3.Insulation Resistance:1000MΩ min
- 4.Dielectric Withstanding Voltage:500V AC
- 5.Temperature Rating:-20℃ to +60℃
- 6.Mechanical Characteristics:  
insertion Force:35 Newtons maximum  
Extraction Force:10 newtons minimum

Contact Material:Brass

Insulator Material:PBT(UL94V-0 Black)

## Ordering Information

6110-04 B F R D XX W N A 1

Contact Plating 

- S0=Gold Flash/Matte Tin
- S1=3u"Gold/Matte Tin
- S3=10u"Gold/Matte Tin
- S4=15u"Gold/Matte Tin
- S5=30u"Gold/Matte Tin

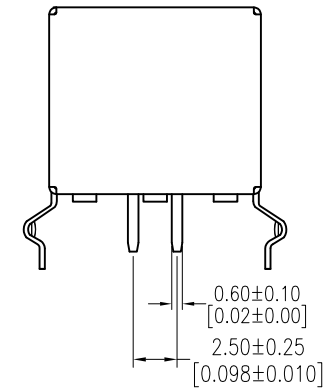
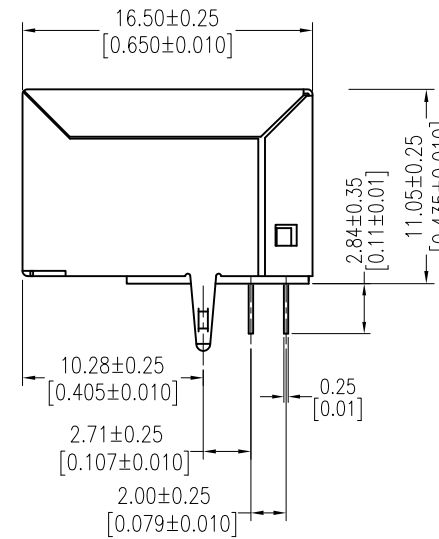
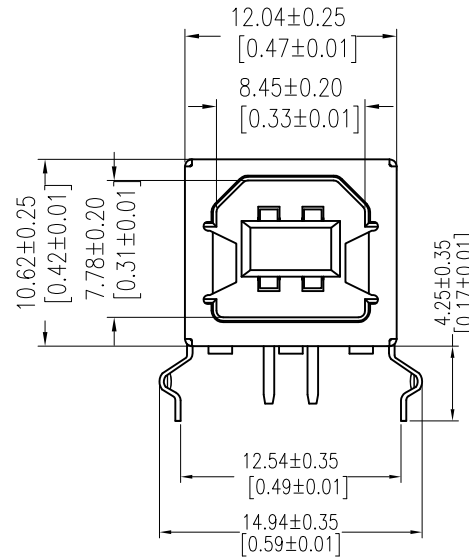
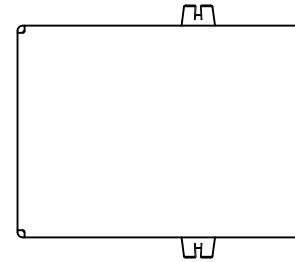
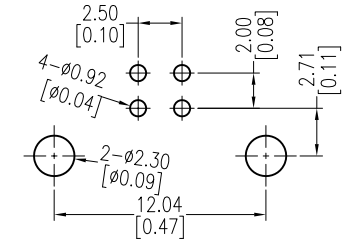
Insulator Color



- B=Black
- W=White
- U=Blue

Packing:

A=Tray

RECOMMENDED P.C.B HOLE LAYOUT  
TOP VIEW(TOLERANCE:±0.10)



REV	DATE	MODIFICATION DESCRIPTION	CHANGE	OPERATION		DRAW	DATE	SCALE	FIT	PART NO.
				X.X	±0.40					
A1	2015/07/27	Modify		X.XX	±0.25	Allen	2015/07/27	UNIT	mm	6110-04BFRDXXWNA1
A0	2012/04/21	NEW	—	X.XXX	±0.15	CHECK	DATE	SIZE	A4	
				Angle	± 3'	APPROVE	DATE	SHEET	1/1	TITLE:
				DIM	TOL			PROJ.		Customer NO.

TITLE:  
USB B-TYPE 90° DIP FEMALE