

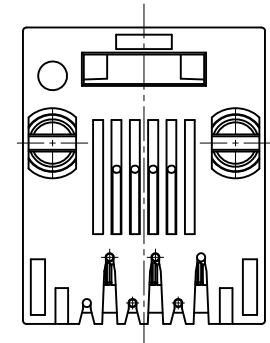
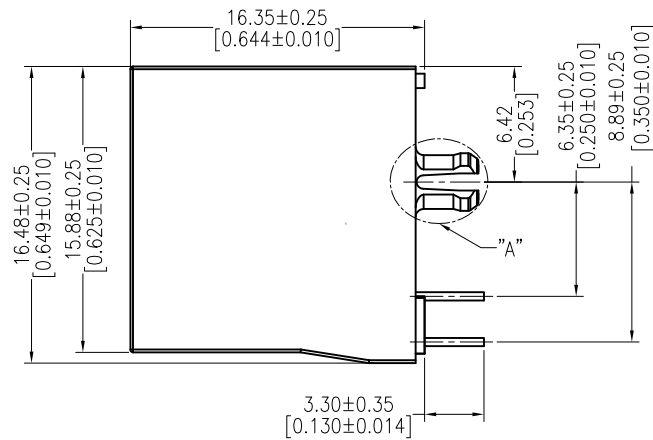
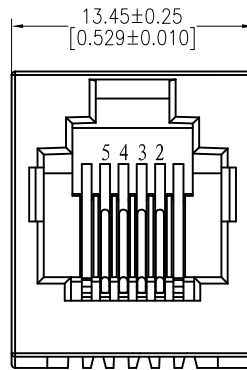
HSF

NOTES:

Rated Current:1.5AMP
 Rated Voltage:125 VAC RMS.
 Contact Resistance:20mΩ max
 Withstand Voltage:1000V DC/0.5mA For 1 minute.
 Insulation Resistance:500MΩ min At 500V DC

Contact Material:Phosphor Bronze,Ø0.46mm.
 Contact Plating:Au Over NICKEL
 Housing Material:PBT/PA46 UL 94V-0

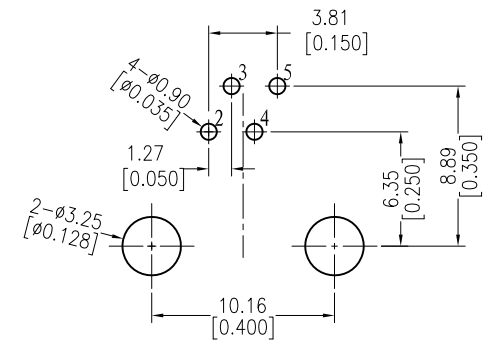
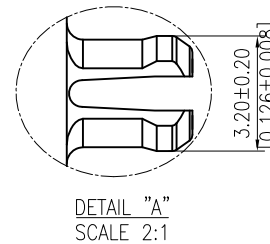
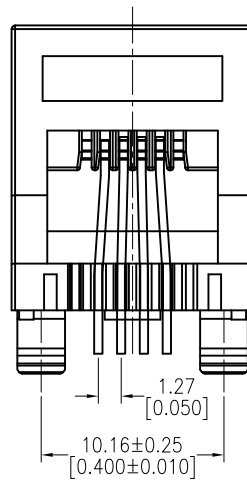
DURABILITY : 750 CYCLES MIN.
 OPERATION TEMPERATURE : -40°C~+70°C



Ordering Information

4541 -6P4C 1 S XX X X P A 2

- Ports
1=1 Port
- Contact Plating
G0=Gold Flash
G1=3u"Gold
G2=5u"Gold
G3=10u"Gold
G4=15u"Gold
G5=30u"Gold
- Housing Material
A=PBT
E=PA46
- Color
B=Black
G=Grey
Y=Yellow
- Packing
A=Tray



Recommended P.C.B Layout(TOP Side)
 (PCB BOARD TOLERANCE±0.05)

				OPERATION		DRAW		DATE		SCALE		FIT		PART NO.	
				X.X ±0.40		Allan		2014/10/07		UNIT		mm		4541-6P4C1SXXXXPA2	
				X.XX ±0.25		CHECK		DATE		SIZE		A4		TITLE:	
				X.XXX ±0.15		APPROVE		DATE		SHEET		1/1		RJ11 6P4C L=16.35 180° DIP Single Row One Port Naught Light	
A0		2014/10/07		NEW						PROJ.		⊕		Customer NO.	
REV	DATE	MODIFICATION DESCRIPTION			CHANGE	DIM	TOL								