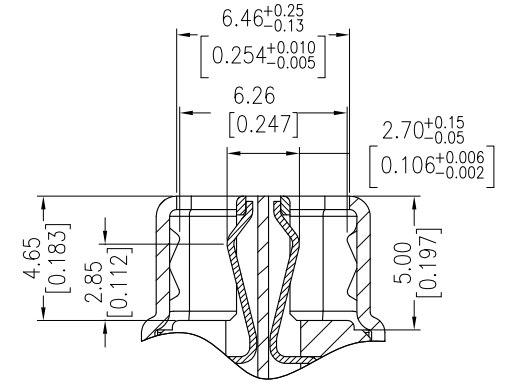
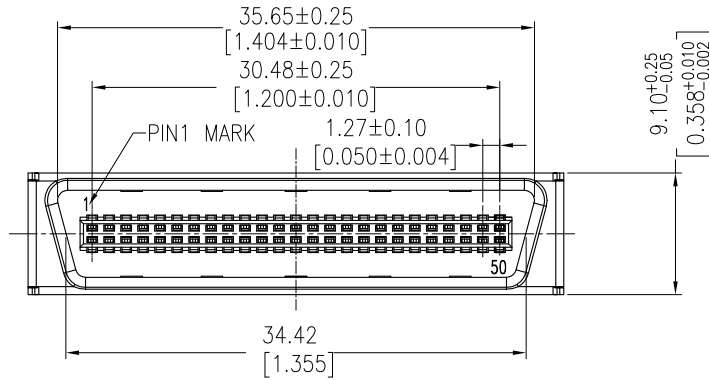


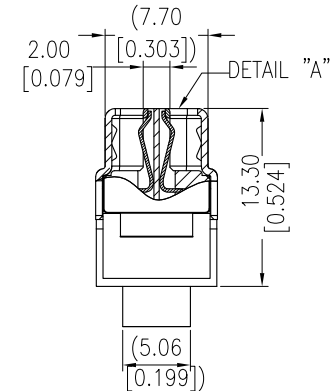
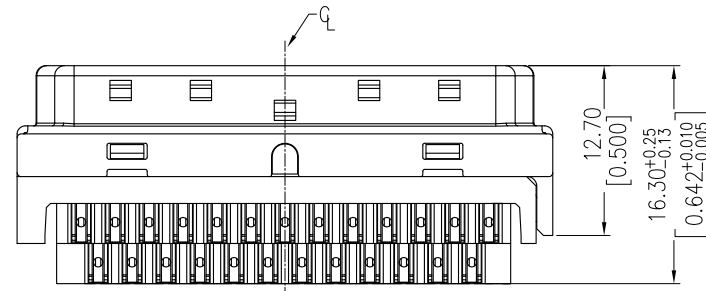
# HSF

NOTES:  
 Current Rating:1AMP  
 Contact Resistance:35mΩ max  
 Withstand Voltage:500V AC/DC  
 Insulation Resistance:1000MΩ min  
 Operation Temperature:-55°C to +85°C

Contact Material:Phosphor Bronze  
 Contact plating:Au or Sn over Ni  
 Shell Material:SPCC,t=0.50mm  
 Housing Material:PA9T+30%GF(UL94V-0)  
 Cover Material:LCP+30%GF(UL94V-0)



DETAIL "A"  
SCALE 2:1



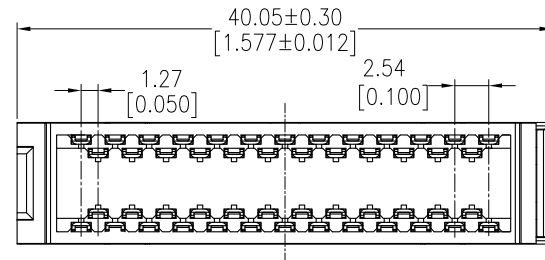
## Ordering Information

6320 - 050 S S XX M N A 01

No.of Pins  
50Pin

Contact Plating  
 S1=3u"Gold/Tin  
 S4=15u"Gold/Tin  
 S5=30u"Gold/Tin

Packing  
A=Tray



				OPERATION		DRAW	DATE	SCALE	FIT	PART NO. 6320-050SSXXMNA01 TITLE: 1.27mm SCSI 50P Male (Soldering Type) Customer NO.
				X.X	±0.40	ZHENG	2016/08/05	UNIT	mm	
				X.XX	±0.25	CHECK	DATE	SIZE	inch	
				X.XXX	±0.15	APPROVE	DATE	SHEET	1/1	
AO	2016/08/05	NEW		Angle	± 3'			PROJ.	⌀	
REV	DATE	MODIFICATION DESCRIPTION	CHANGE	DIM	TOL					