

HSF

NOTES:

Rated Current: 2.0AMP
 Rated Voltage: 12V DC
 Contact Resistance: 30mΩ max
 Withstand Voltage: 1000V AC/DC
 Insulation Resistance: 1000MΩ min
 Operation Temperature: -55℃ to +105℃

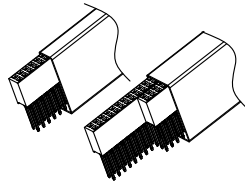
Contact Material: Copper Alloy
 Contact Plating: Au Over Ni
 Insulator Material: High Temperature Thermoplastic(UL94V-0)

Ordering Information

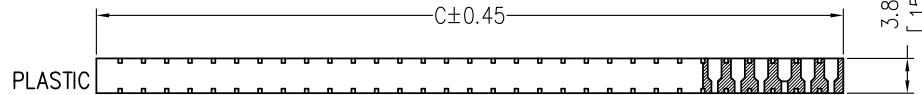
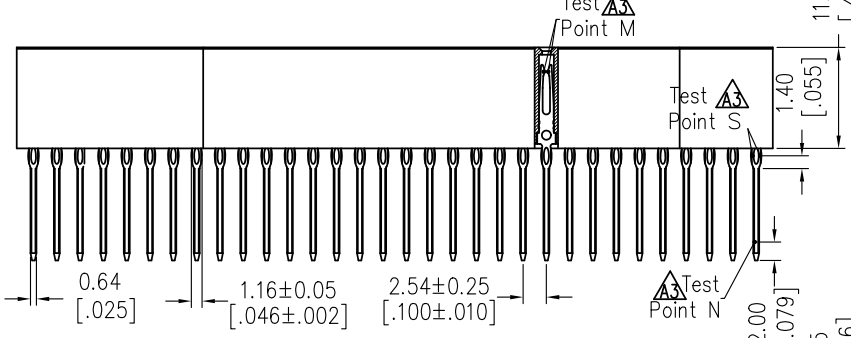
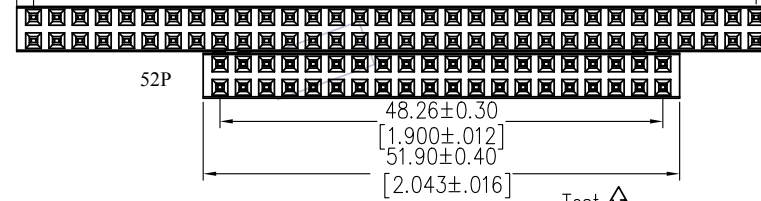
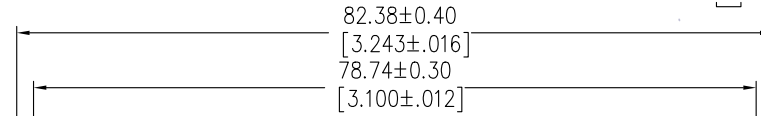
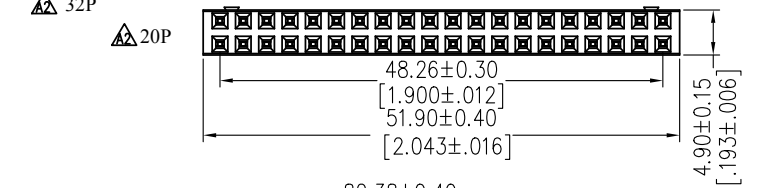
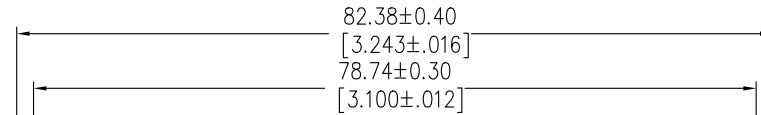
2111P- 2 XX S XX F Y N T X

No. of Pins per 20P 32P 52P(20+32P)
 Contact Plating: G1=Fully 3u"Gold G3=Fully 10u"Gold G4=Fully 15u"Gold H3=Mating 10u"Gold Tail 3u"Gold H4=Mating 15u"Gold Tail 3u"Gold
 Packing: T=Tube
 Journal Number: 2=Type 2 5=Type 2 + Plastic

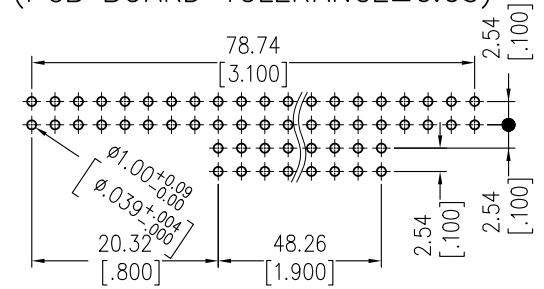
ITEM	PLASTIC		CONN
	Dim C	Pcs/Bag	Pcs/Tube
2*20P	50.90	500	11
2*32P	81.38	500	7
2*52P			7



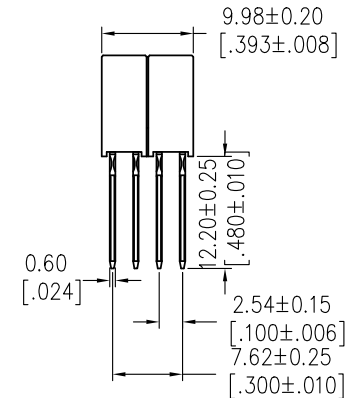
Item	Pitch	Mating
Standard	2.54	1125
Alternate		



Recommended P.C.B Layout(Top Side)
 (PCB BOARD TOLERANCE±0.05)



Contact Plating	Test Point M	Test Point N	Test Point S
G1	3U"	3U"	3U"
G3	10U"	10U"	3U"
G4	15U"	15U"	3U"
H3	10U"	3U"	3U"
H4	15U"	3U"	3U"



REV	DATE	MODIFICATION DESCRIPTION	CHANGE	OPERATION	DRAW	DATE	SCALE	FIT	PART NO.
A3	2019/12/30	MODIFY	-----	OPERATION	Surong Xu	2019/12/30	UNIT	mm	2111P-2XXSXXFYNTX
A2	2019/06/11	ADD 52P&20P 32P VIEW	-----	x.X ±0.40	CHECK	DATE	SIZE	A4	TITLE:
A1	2017/04/17	Modify	-----	x.XX ±0.25	APPROVE	DATE	SHEET	1/1	2.54 PC104 2*XXP 180° H=11.0
A0	2012/08/20	NEW	-----	x.XXX ±0.15			PROJ.		DIP=12.2 PRESS FIT + PLASTIC
				Angle ± 3°					Customer NO.
				DIM TOL					