

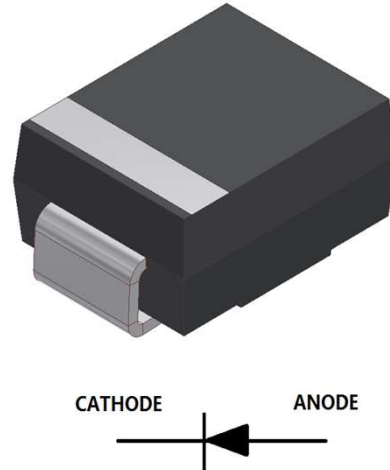
S-SZB***A Series

Zener Voltage Regulator Diodes

2.0 Watt Steady State

1. FEATURES

- We declare that the material of product compliance with RoHS requirements and Halogen Free.
- Plastic package has Underwriters Laboratory Flammability Classification 94V-O
- For surface mounted applications in order to optimize board space
- IEC61000-4-2 ESD Air Contact $\geq \pm 15KV$
- High temperature soldering guaranteed:
260°C/10 seconds,
- S- prefix for automotive and other applications requiring unique site and control change requirements; AEC-Q101 qualified and PPAP capable.
- Weight: 0.088g



2. MECHANICAL DATA

Case: Epoxy, Molded

Terminals: Plated leads, solderable per MIL-STD-202, Method 208

Polarity: With Color band denoted cathode

Mounting Position: Any

3. MAXIMUM RATINGS(Ta = 25°C)

Ratings at 25°C ambient temperature unless otherwise specified.

Single phase, half wave, 60Hz, resistive or inductive load.

For capacitive load, derate current by 20%.

RATING	SYMBOL	VALUE	UNITS
Steady State Power Dissipation at T _L =75°C(Note1)	P _{M(AV)}	2.0	Watts
Z-current	I _Z	P _V /V _Z	mA
Operating and Storage Temperature Range	T _J , T _{STG}	-50 to +150	°C
Typical thermal resistance (Note 2)	R _{θJA}	160	°C/W
	R _{θJC}	50	

NOTES:

1. Mounted on Copper Leaf area of 1.57in²(40mm²).
2. 8.0mm² (.013mm thick) land areas

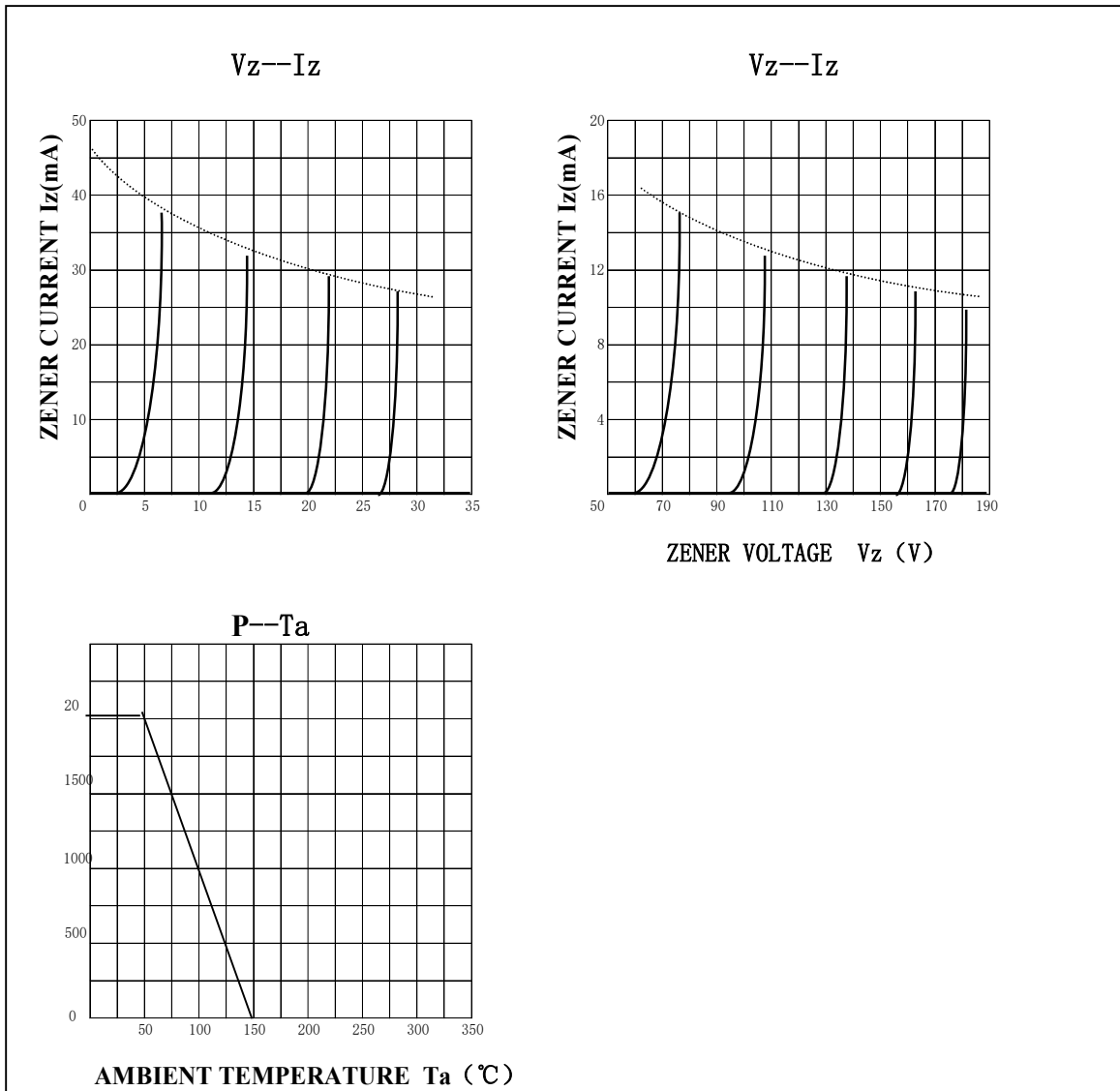
S-SZB*** A Series

4. Product Characteristic

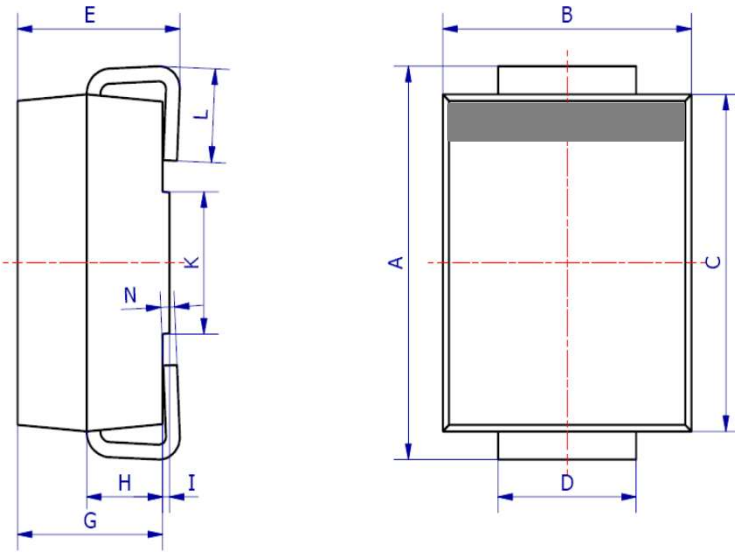
Vz tolerance : ±5%; Ta=25°C Vfmax =1.2V @ IF = 200mA P=2 W; Tested with pulse tp=40ms

Type	Device marking code	Zener Voltage		Zener Impedance			Leakage Current		IZM	
		Vz@Izt	Izt	Zzt @ Izt	Zzk@ Izk	IR	VR			
		Volts	mA	Ohms	Ohms	m A	uA Max	Volts		mA
S-SZB5.1A	SZB5.1A	5.1	98	7	550	1	100	1	392	
S-SZB5.6A	SZB5.6A	5.6	89	5	600			2	357	
S-SZB6.2A	SZB6.2A	6.2	81	2	700			3	323	
S-SZB6.8A	SZB6.8A	6.8	74	4	1300			4	294	
S-SZB7.5A	SZB7.5A	7.5	67	4.5	1300			0.5	5	267
S-SZB8.2A	SZB8.2A	8.2	61	5.5	1300			0.5	6	244
S-SZB9.1A	SZB9.1A	9.1	55	6	1300			0.5	7	220
S-SZB10A	SZB10A	10	50	7	1300			0.25	7.6	200
S-SZB11A	SZB11A	11	45	8	1300				8.4	182
S-SZB12A	SZB12A	12	42	9	1300				9.1	167
S-SZB13A	SZB13A	13	38	10	1300	9.9	154			
S-SZB15A	SZB15A	15	33	14	1300	11.4	133			
S-SZB16A	SZB16A	16	31	16	1300	12.2	125			
S-SZB18A	SZB18A	18	28	20	1300	13.7	111			
S-SZB20A	SZB20A	20	25	22	1300	15.2	100			
S-SZB22A	SZB22A	22	23	23	1300	16.7	91			
S-SZB24A	SZB24A	24	21	25	1300	18.2	83			
S-SZB27A	SZB27A	27	19	35	1300	20.6	74			
S-SZB30A	SZB30A	30	17	40	1500	22.8	67			
S-SZB33A	SZB33A	33	15	45	1500	25.1	61			
S-SZB36A	SZB36A	36	14	50	1500	27.4	56			
S-SZB39A	SZB39A	39	13	60	1500	29.7	51			
S-SZB43A	SZB43A	43	12	70	2500	32.7	47			
S-SZB47A	SZB47A	47	11	80	2500	35.8	43			
S-SZB51A	SZB51A	51	10	95	2500	38.8	39			
S-SZB56A	SZB56A	56	9	110	2500	42.6	36			
S-SZB62A	SZB62A	62	8	125	2500	47.1	32			
S-SZB68A	SZB68A	68	7	150	2500	51.7	29			
S-SZB75A	SZB75A	75	7	175	2500	56	27			
S-SZB82A	SZB82A	82	6	200	3000	62.2	24			
S-SZB91A	SZB91A	91	5	250	3000	69.2	22			
S-SZB100A	SZB100A	100	5	350	3000	76	20			
S-SZB110A	SZB110A	110	5	550	5000	83	18			
S-SZB120A	SZB120A	120	4	750	5500	90	17			
S-SZB130A	SZB130A	130	4	900	6000	98	15			
S-SZB150A	SZB150A	150	3	1200	6500	113	13			
S-SZB160A	SZB160A	160	3	1350	7000	120	13			
S-SZB180A	SZB180A	180	3	1650	8500	135	11			
S-SZB200A	SZB200A	200	3	1950	10000	150	10			

5. ELECTRICAL CHARACTERISTICS CURVES

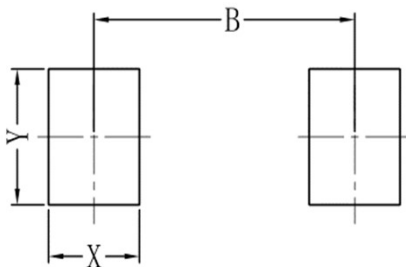


6. OUTLINE AND DIMENSIONS



SMB			
DIM	Min	Max	Typ.
A	5.00	5.45	5.25
B	3.30	3.90	3.60
C	4.30	4.70	4.50
D	1.80	2.20	2.00
E	2.20	2.50	2.35
G	1.90	2.30	2.10
H	0.95	1.25	1.10
I	0.05	0.15	0.10
K	1.70	2.10	1.90
L	0.90	1.60	1.30
N	0.10	0.30	0.20
All Dimensions in mm			

7. SOLDERING FOOTPRINT



SMB	
DIM	(mm)
X	1.60
Y	2.20
B	4.60