



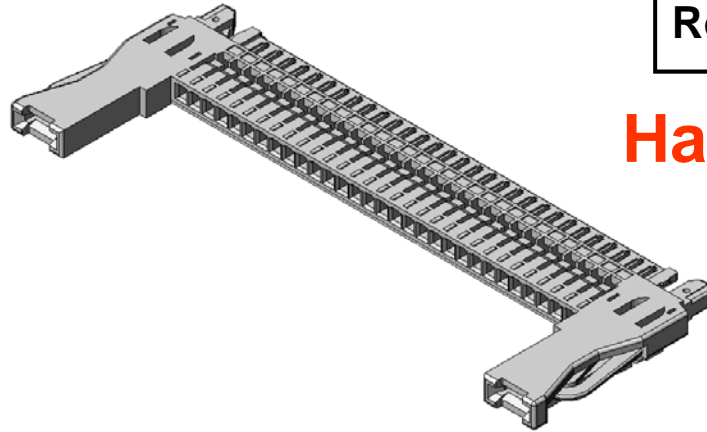
Board-to-Cable Connector for High Speed Differential
Transmission

FI-X30HL-B (FI-X Plug)

CONNECTOR

MB-0244-2

April 2012



RoHS Compliant

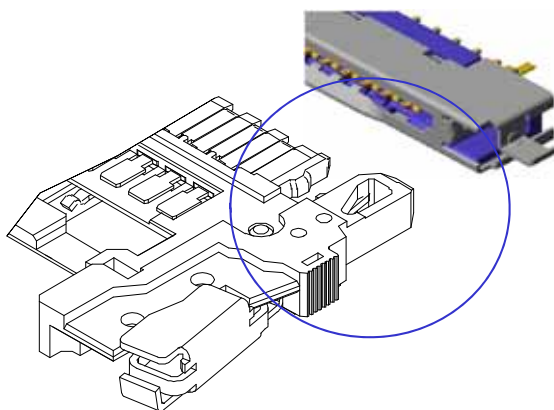
Halogen Free

JAE has developed a new plug for the FI-X 30 position notebook-PC LCD interface standard connector. The FI-X30HL-B is a crimp type plug that has improved lock operability, and is halogen free.

Features

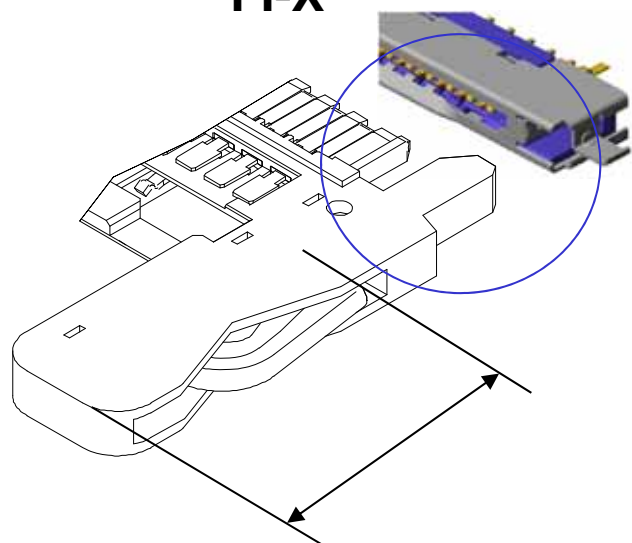
- VESA standard connector, compatible with LVDS and DisplayPort transmission
- Improved operability and insertability with the new lengthened holding area
- Pb-free
- Halogen-free

Old Lock FI-X



New Lock FI-X

New



**Improved operability with
lengthened holding area**

General Specifications

- No of Contacts: 30 pos
- Contact Resistance: 40m ohm max.
- Dielectric Withstanding Voltage:
AC 500Vr.m.s per minute
- Operating Temperature:
-40 Deg. C to 80 Deg. C
- Rated Current: AC, DC each 1A per pos.
- Rated Voltage: AC, DC each 200V per pos.
- Insulation Resistance: 100M ohm min.
- Contact Pitch: 1mm

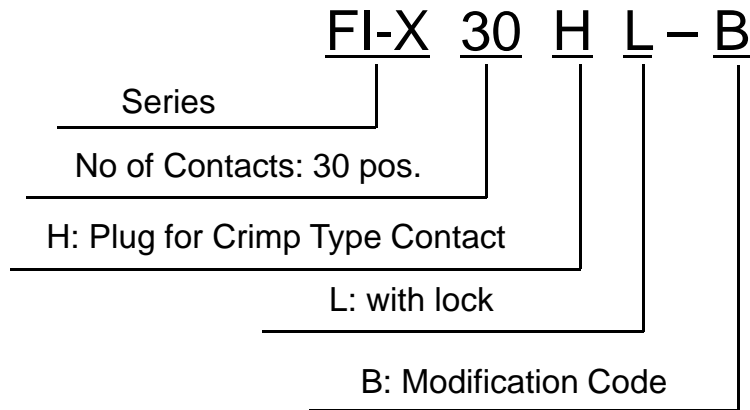
Materials and Finishes

Plug Connector FI-X30HL-B

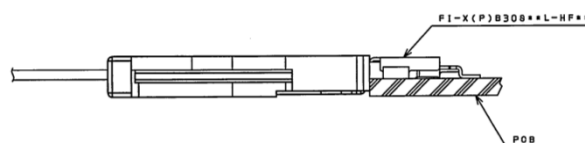
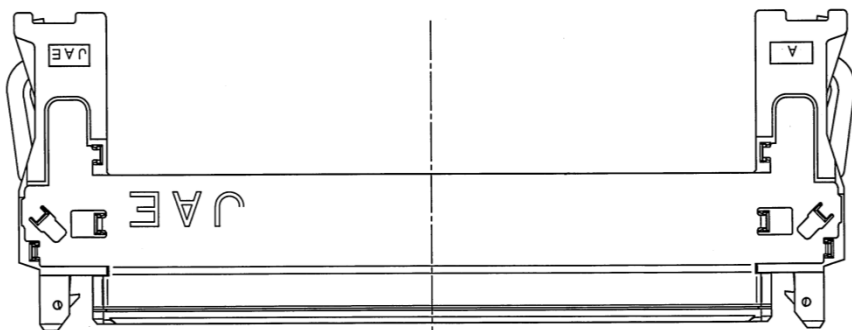
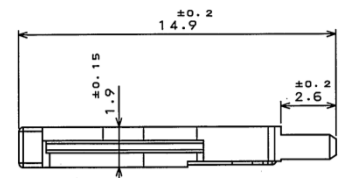
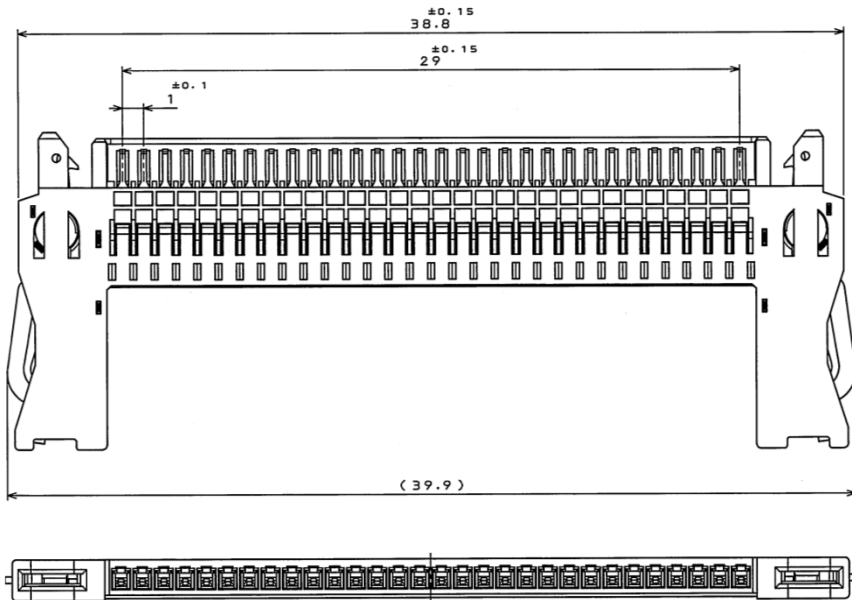
Component	Material / Finish
Lock Lever	Stainless steel / None
Insulator	Heat resistance plastic / None
Shell	Stainless steel / Sn plating

Ordering Information

Plug Connector (SJ111287)



Unit: mm



Mated Condition (Ref.)

Related Information

-Specifications (JACS): JACS-1597-22

-Handling Instructions (JAHL): JAHL-1597-5

Notice: Products shown in this brochure are made for the applications listed below. However, if the above-mentioned products are to be used in aerospace devices, marine cable-connection devices, atomic power control systems, medical equipment for life-support systems, or any other specific application requiring extremely high reliability, please contact JAE for further information.

Recommended applications: Computers, Office machines, Measuring devices, Telecommunication devices (Terminals, Mobile devices), AV devices, Household applications, FA devices, etc.

Japan Aviation Electronics Industry, Limited

* The specifications in this brochure are subject to change without notice. Please contact JAE for information.