

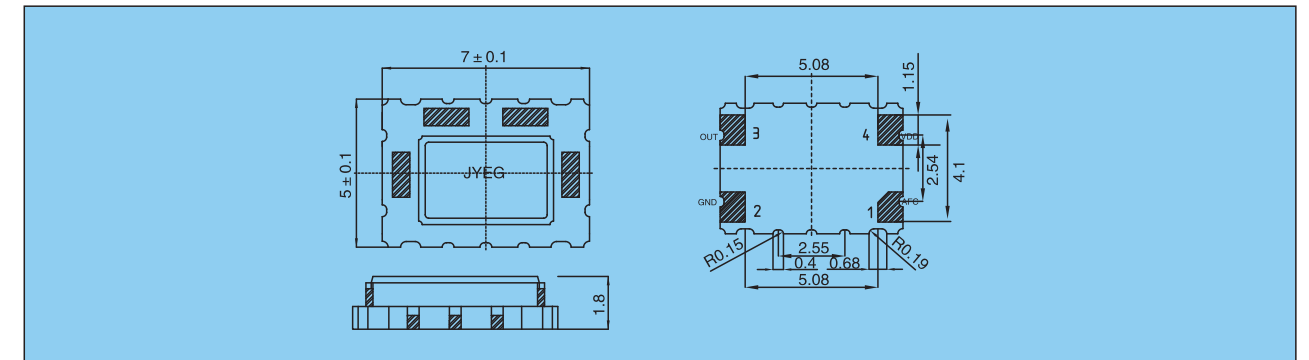
### Features

- JYEG part number: JYVTDH7
- Small Dimension
- Clock Stratum3
- Low Phase Noise
- Low Supply Power

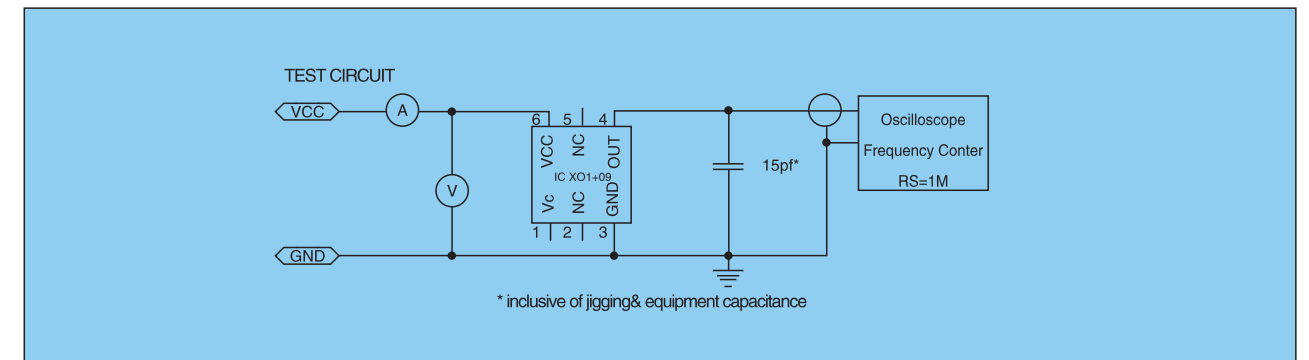
### TYPICAL SPECIFICATIONS

Type	High Precision TCXO7050
Standard Frequency	±0.1, 25M:±0.2, 32M:±0.2,
Frequency Range	10 ~ 40MHz
Frequency Stability vs Temperature	± 0.28ppm
Operating Temperature Range	-40°C ~ +85°C
Output Load	15pF
Start-up Time	2mS
Input Current	6mA(max)
Input Voltage	3.3VDC ± 10%
Frequency Stability vs. Supply Voltage	± 0.1ppm(VDD ± 5%)
Frequency Stability vs. Load	± 0.1ppm(C <sub>L</sub> ± 10%)
Aging	± 0.1ppm/year , ± 4.6ppm/10year
Phase Noise	1kHz, -130dB

## TCXO SMD7050(JYVTDH7)



### TEST CIRCUIT



### TAPE AND REEL DIMENSIONS

