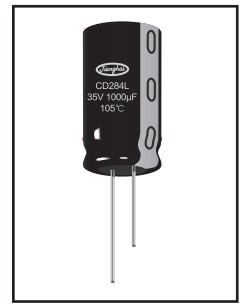
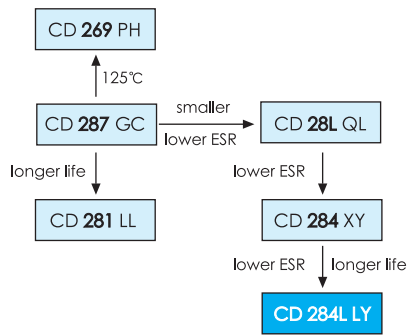


6000 - 10000h at 105°C

- Higher ripple current capability and smaller sizes than CD284 series
- Lower Impedance at high frequency
- Load life of 6000 to 10000hrs

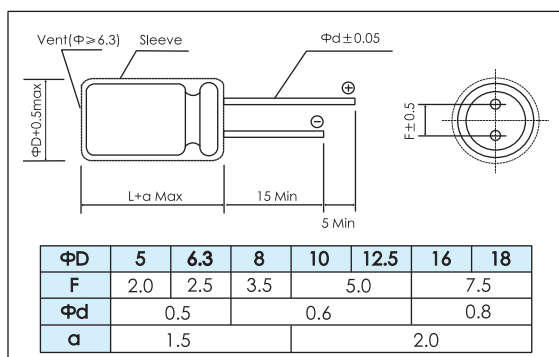


Items	Characteristics																														
Operating Temperature Range (°C)	-40 ~ +105																														
Voltage Range (V)	6.3 ~ 100																														
Capacitance Range (μF)	8.2 ~ 8200																														
Capacitance Tolerance (20°C, 120Hz)	± 20%																														
Leakage Current (μA)	After 2 minutes at 20°C application of rated voltage, leakage current is not more than 0.01CV or 3, whichever is greater. C: Nominal Capacitance (μF) V: Rated Voltage (V)																														
Dissipation Factor (20°C, 120Hz)	<table border="1"> <thead> <tr> <th>Rated Voltage (V)</th> <th>6.3</th> <th>10</th> <th>16</th> <th>25</th> <th>35</th> <th>50</th> <th>63</th> <th>80</th> <th>100</th> </tr> </thead> <tbody> <tr> <td>Tan δ (max)</td> <td>0.22</td> <td>0.19</td> <td>0.16</td> <td>0.14</td> <td>0.12</td> <td>0.10</td> <td>0.09</td> <td>0.08</td> <td>0.08</td> </tr> </tbody> </table>	Rated Voltage (V)	6.3	10	16	25	35	50	63	80	100	Tan δ (max)	0.22	0.19	0.16	0.14	0.12	0.10	0.09	0.08	0.08										
	Rated Voltage (V)	6.3	10	16	25	35	50	63	80	100																					
Tan δ (max)	0.22	0.19	0.16	0.14	0.12	0.10	0.09	0.08	0.08																						
For Capacitances >1000μF add 0.02 to every 1000μF																															
Stability at Low Temperature (Impedance Ratio at 120Hz)	<table border="1"> <thead> <tr> <th>Rated Voltage (V)</th> <th>6.3</th> <th>10</th> <th>16</th> <th>25</th> <th>35</th> <th>50</th> <th>63</th> <th>80</th> <th>100</th> </tr> </thead> <tbody> <tr> <td>Z_{-25°C} / Z_{+20°C}</td> <td>4</td> <td>3</td> <td colspan="4">2</td> <td colspan="3"></td> </tr> <tr> <td>Z_{-40°C} / Z_{+20°C}</td> <td>12</td> <td>10</td> <td>8</td> <td>6</td> <td>4</td> <td colspan="4">3</td> </tr> </tbody> </table>	Rated Voltage (V)	6.3	10	16	25	35	50	63	80	100	Z _{-25°C} / Z _{+20°C}	4	3	2							Z _{-40°C} / Z _{+20°C}	12	10	8	6	4	3			
	Rated Voltage (V)	6.3	10	16	25	35	50	63	80	100																					
	Z _{-25°C} / Z _{+20°C}	4	3	2																											
Z _{-40°C} / Z _{+20°C}	12	10	8	6	4	3																									

	Useful Life		Load Life	Endurance Test	Shelf Life
Lifetime	Φ ≤ 6.3 : 8000h Φ = 8 : 10000h Φ ≥ 10 : 12000h	Φ > 8: 110000h	Φ ≤ 6.3 : 6000h Φ = 8 : 8000h Φ ≥ 10 : 10000h	Φ ≤ 6.3 : 7000h Φ = 8 : 10000h Φ ≥ 10 : 12000h	500h
Leakage Current	Not more than specified value		Not more than specified value	Not more than specified value	Not more than specified value
Capacitance Change	Within ± 30% of initial value (6.3V, 10V, ± 40%)		Within ± 25% of initial value (6.3V, 10V, ± 30%)	Within ± 25% of initial value (6.3V, 10V, ± 30%)	Within ± 20% of initial value
Dissipation Factor	Not more than 300% of specified value (6.3V, 10V, 400%)		Not more than 200% of specified value (6.3V, 10V, 300%)	Not more than 200% of specified value (6.3V, 10V, 300%)	Not more than 200% of specified value
Condition: Applied Voltage Applied Current Applied Temperature	U _R I _R 105°C	U _R 1.4 × I _R 60°C	U _R I _R 105°C	U _R I _R = 0 105°C	U _R = 0 I _R = 0 105°C After test: U _R to be applied for 30min >24h before measurement

Dimensions

mm



Frequency Coefficient

Cap (μF)	Frequency			
	120Hz	1kHz	10kHz	100kHz
8.2 ~ 33	0.42	0.70	0.90	1.00
47 ~ 270	0.50	0.73	0.92	1.00
330 ~ 680	0.55	0.77	0.94	1.00
820 ~ 1800	0.60	0.80	0.96	1.00
2200 ~ 6800	0.70	0.85	0.98	1.00

Temperature Coefficient

Temperature(°C)	≤65	+85	+105
Coefficient	2.0	1.7	1.0

Ratings for CD 284L LY Series

U_r (Surge Voltage) Code	Rated Capacitance	Max ESR 20°C, 120Hz	Max Imp 20°C, 100kHz	Max Imp -10°C, 100kHz	Rated Ripple Current 105°C, 100kHz	Size $\Phi D \times L$	P/N
(V)	(μF)	(Ω)	(Ω)	(Ω)	(mA _{rms})	(mm)	-
80 (100) 1K	12	8.846	1.4	5.6	163	5×11.5	ECR1KLY120M□□050011
	33	3.217	0.57	2.3	267	6.3×11.5	ECR1KLY330M□□063011
	56	1.896	0.36	1.4	462	8×11.5	ECR1KLY560M□□080011
	68	1.561	0.25	1.0	585	8×16	ECR1KLY680M□□080016
	82	1.295	0.23	0.96	624	10×12.5	ECR1KLY820M□□100012
	100	1.062	0.19	0.76	735	8×20	ECR1KLY101M□□080020
	120	0.885	0.17	0.72	780	10×16	ECR1KLY121M□□100016
	180	0.590	0.12	0.52	1040	10×20	ECR1KLY181M□□100020
	220	0.483	0.11	0.47	1170	10×25	ECR1KLY221M□□100025
	270	0.393	0.085	0.31	1430	12.5×20	ECR1KLY271M□□125020
	330	0.322	0.060	0.23	1620	12.5×25	ECR1KLY331M□□125025
	390	0.272	0.051	0.21	1950	12.5×30	ECR1KLY391M□□125030
	390	0.272	0.058	0.21	1750	16×20	ECR1KLY391M□□160020
	470	0.226	0.043	0.17	2140	12.5×35	ECR1KLY471M□□125035
	560	0.190	0.036	0.15	2340	12.5×40	ECR1KLY561M□□125040
	560	0.190	0.044	0.16	2210	16×25	ECR1KLY561M□□160025
	560	0.190	0.054	0.18	1950	18×20	ECR1KLY561M□□180020
	680	0.156	0.033	0.12	2400	16×31.5	ECR1KLY681M□□160031
	820	0.129	0.038	0.13	2270	18×25	ECR1KLY821M□□180025
	820	0.129	0.029	0.10	2600	16×35.5	ECR1KLY821M□□160035
1000	0.106	0.031	0.11	2470	18×31.5	ECR1KLY102M□□180031	
1000	0.106	0.027	0.090	2860	16×40	ECR1KLY102M□□160040	
1200	0.088	0.027	0.084	2860	18×35.5	ECR1KLY122M□□180035	
1500	0.071	0.026	0.076	3510	18×40	ECR1KLY152M□□180040	
100 (125) 2A	8.2	12.946	1.4	5.6	163	5×11.5	ECR2ALY8R2M□□050011
	18	5.898	0.57	2.3	267	6.3×11.5	ECR2ALY180M□□063011
	33	3.217	0.36	1.4	462	8×11.5	ECR2ALY330M□□080011
	47	2.259	0.25	1.0	585	8×16	ECR2ALY470M□□080016
	56	1.896	0.23	0.96	624	10×12.5	ECR2ALY560M□□100012
	68	1.561	0.19	0.76	735	8×20	ECR2ALY680M□□080020
	82	1.295	0.17	0.72	780	10×16	ECR2ALY820M□□100016
	100	1.062	0.12	0.52	1040	10×20	ECR2ALY101M□□100020
	120	0.885	0.11	0.47	1170	10×25	ECR2ALY121M□□100025
	150	0.708	0.085	0.31	1430	12.5×20	ECR2ALY151M□□125020
	220	0.483	0.060	0.23	1620	12.5×25	ECR2ALY221M□□125025
	270	0.393	0.051	0.21	1950	12.5×30	ECR2ALY271M□□125030
	270	0.393	0.058	0.21	1750	16×20	ECR2ALY271M□□160020
	330	0.322	0.043	0.17	2140	12.5×35	ECR2ALY331M□□125035
	390	0.272	0.036	0.15	2340	12.5×40	ECR2ALY391M□□125040
	390	0.272	0.044	0.16	2210	16×25	ECR2ALY391M□□160025
	390	0.272	0.054	0.18	1950	18×20	ECR2ALY391M□□180020
	470	0.226	0.033	0.12	2400	16×31.5	ECR2ALY471M□□160031
	470	0.226	0.038	0.113	2270	18×25	ECR2ALY471M□□180025
	560	0.190	0.029	0.10	2600	16×35.5	ECR2ALY561M□□160035
560	0.190	0.031	0.11	2470	18×31.5	ECR2ALY561M□□180031	
680	0.156	0.027	0.090	2860	16×40	ECR2ALY681M□□160040	
680	0.156	0.027	0.084	2860	18×35.5	ECR2ALY681M□□180035	
820	0.129	0.026	0.076	3510	18×40	ECR2ALY821M□□180040	

MINIATURE

Customer products are available on request.

Lifetime Diagram

